

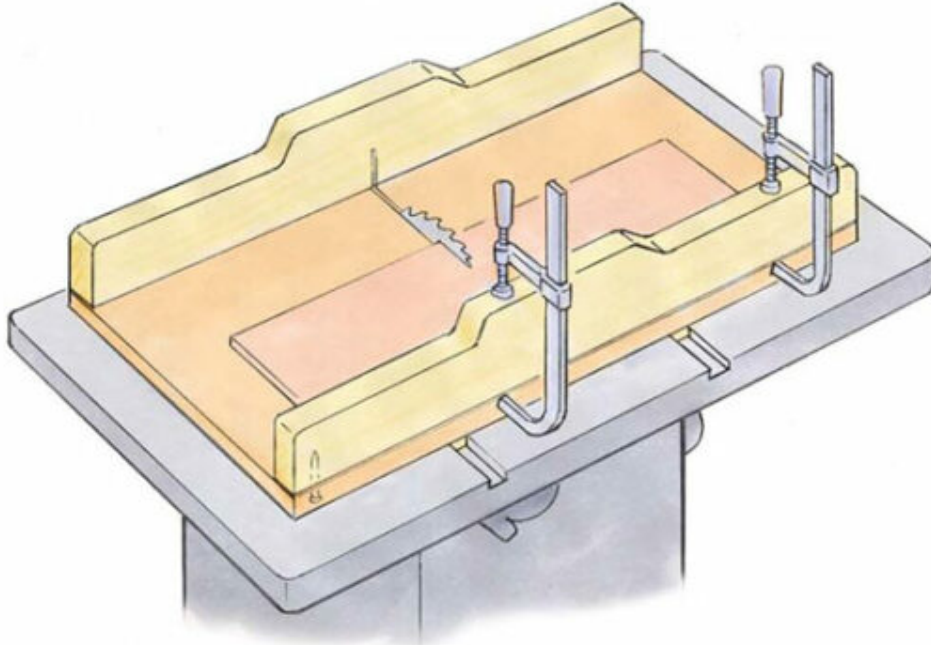
# Fine-tune fences on table-saw sleds

FW [finewoodworking.com/2025/01/07/fine-tune-fences-on-table-saw-sleds](https://finewoodworking.com/2025/01/07/fine-tune-fences-on-table-saw-sleds)

January 7, 2025

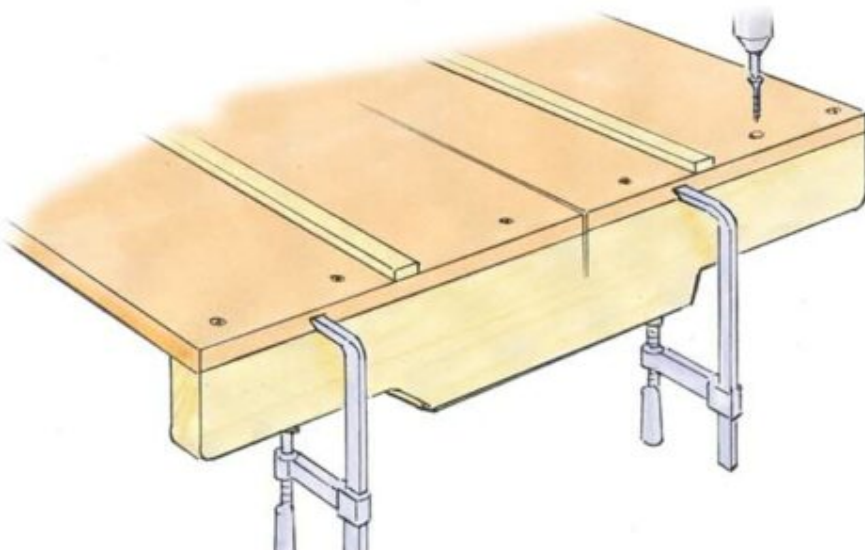
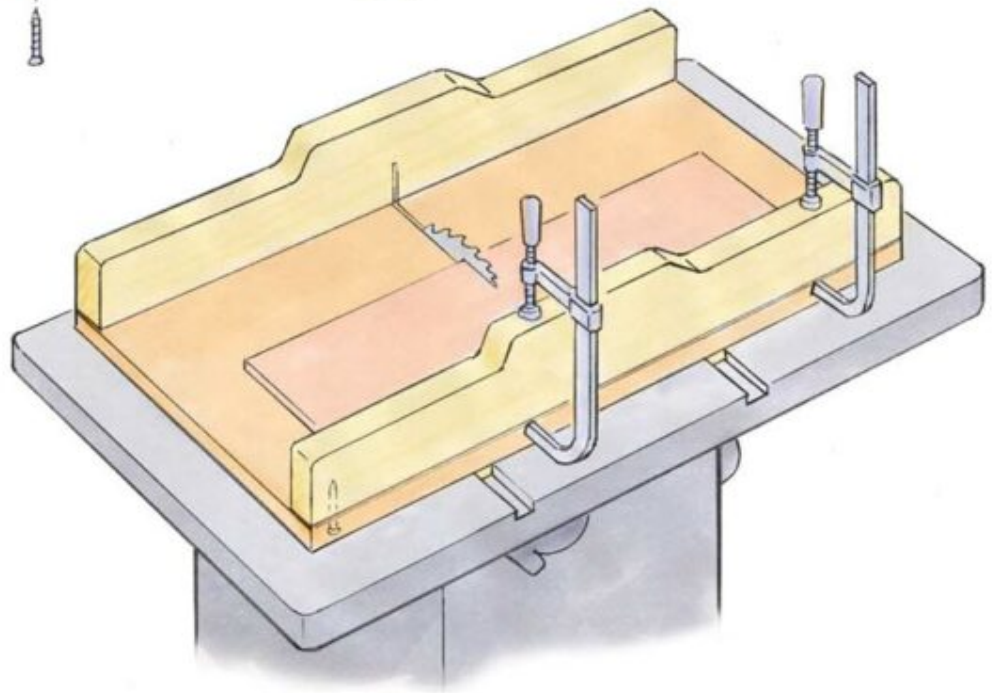
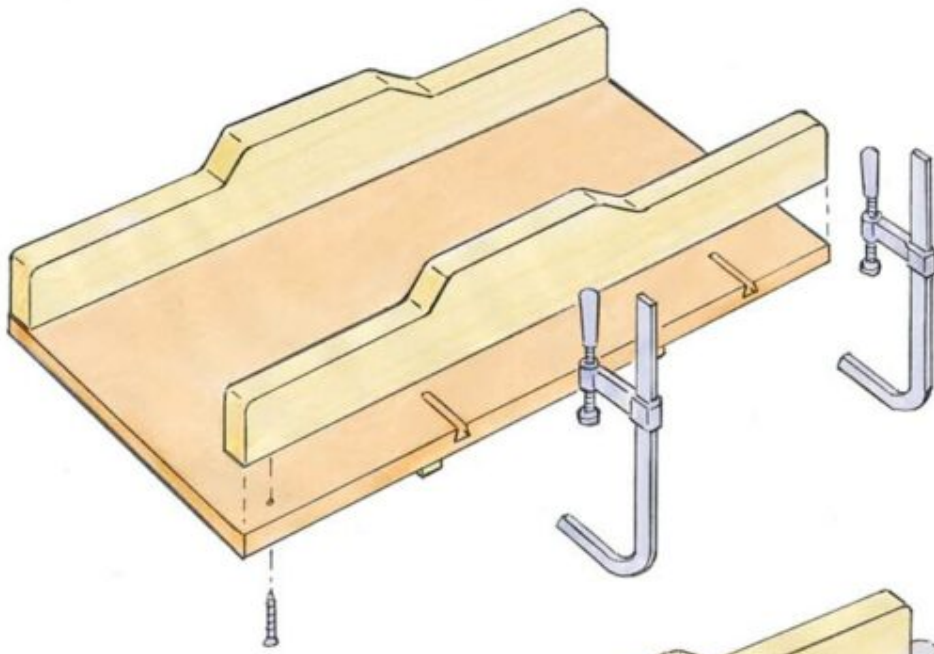
The toughest part of building a table-saw sled is lining up the main fence so it's perfectly square with the blade.

By [Eliot Feldman](#) #315-JAN/FEB 2025 Issue



Most of us end up building a number of table-saw sleds over the years. The toughest part is lining up the main fence so it's perfectly square with the blade.

The usual approach involves driving a screw at one end to act as a tight pivot point, and then leaving a bit of wiggle room in the other screw holes to allow for adjustment. This requires a lot of back and forth between test cuts and fence tweaks, with the sled coming on and off the saw.





To make the process easier, cut two dovetail slots in the sled base, one near the midpoint and another at one end, using a dovetail-shaped router bit. Then drive that pivot screw at the other end—through the base and up into the fence.

Now use dovetail clamps, like those sold by Microjig and others, to lock the fence in place while you make test cuts. The clamps make small adjustments very easy, and you won't have to move the sled off the saw to make them.

Once your test cuts are square, the clamps hold the fence in place while you drive additional screws and make its position permanent.

—*Eliot Feldman, Bethesda, Md.*

Sign up for eletters today and get the latest techniques and how-to from Fine Woodworking, plus special offers.

Signing you up...

This site is protected by reCAPTCHA and the Google [Privacy Policy](#) and [Terms of Service](#) apply.

[See all newsletters](#)

X

X

[New Feature](#)

## **Fine Woodworking Forums**

---

**Ask questions, offer advice, and share your work**

---

Get It All!

UNLIMITED Membership is like taking a master class in woodworking for less than \$10 a month.

[Start Your Free Trial](#)

**Log in or create an account to post a comment.**

---

[Sign up](#) [Log in](#)

## **Highlights**

---

- **Shape Your Skills**

when you sign up for our emails

Plus tips, advice, and special offers from *Fine Woodworking*.

Signing you up...

This site is protected by reCAPTCHA and the Google [Privacy Policy](#) and [Terms of Service](#) apply.

[See all newsletters](#)



[Shop Talk Live Podcast](#)

[Our biweekly podcast allows editors, authors, and special guests to answer your woodworking questions and connect with the online woodworking community.](#)

- # Staff Picks

[Our favorite articles and videos](#)

[We have created these special content collections organized to give you a deep dive into a range of topics that matter.](#)



E-Learning Courses from Fine Woodworking

Join our trusted experts for these in-depth, online learning experiences.

- Sign Up for the New

Woodworking Fundamentals

Learn More

Your step-by-step introduction to the craft of woodworking.

- 

© 2025 Active Interest Media. All rights reserved.